

28602

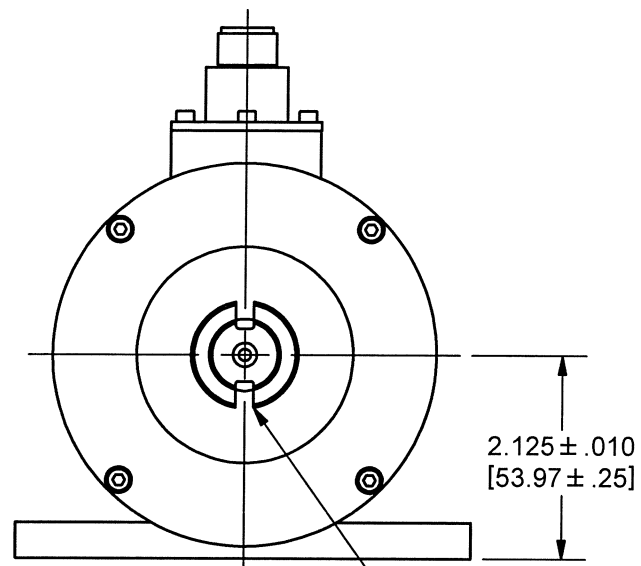
APPLICATION

NEXT ASSY	USED ON	VAR

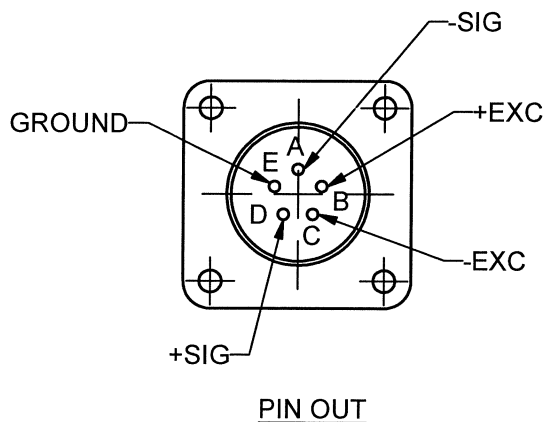
PCB Piezotronics Inc. claims proprietary rights in the information disclosed hereon. Neither it nor any reproduction thereof will be disclosed to others without the written consent of PCB Piezotronics Inc.

REVISIONS

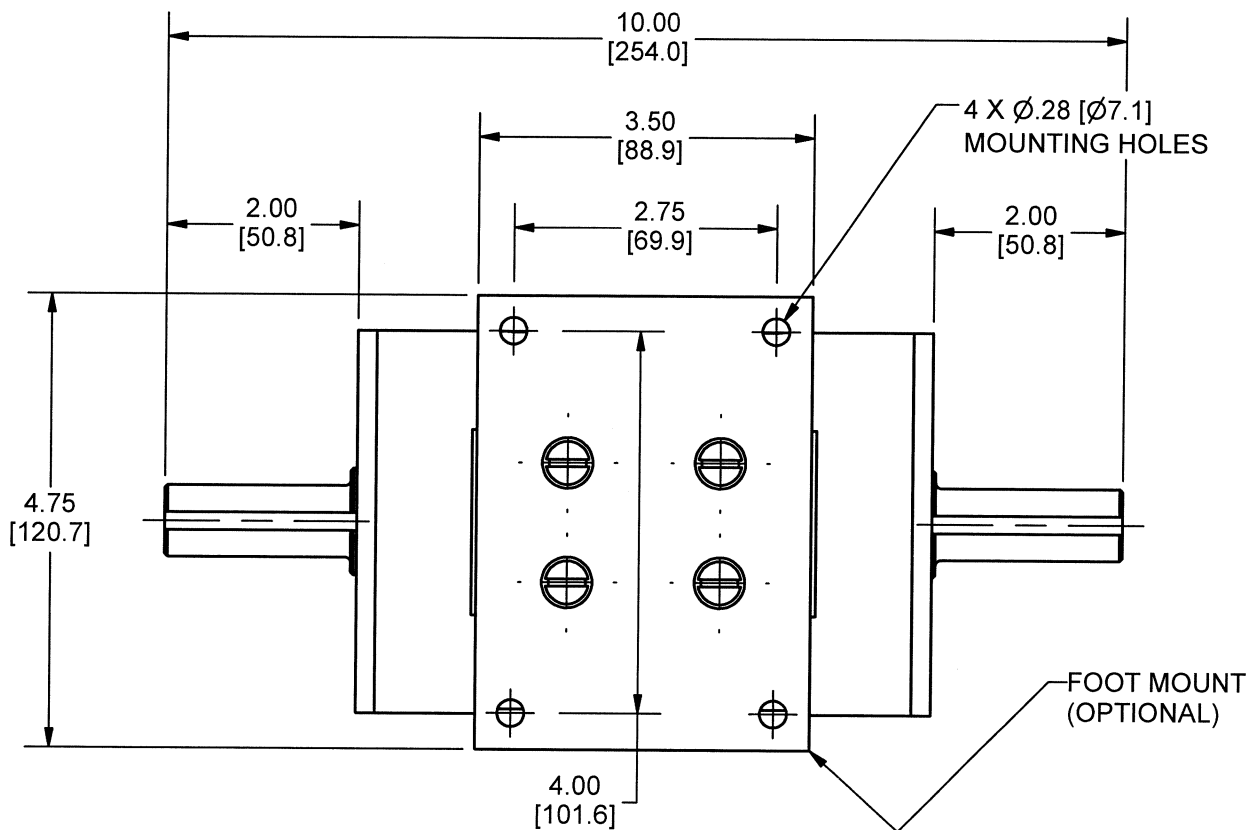
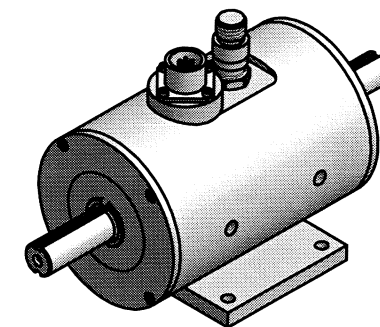
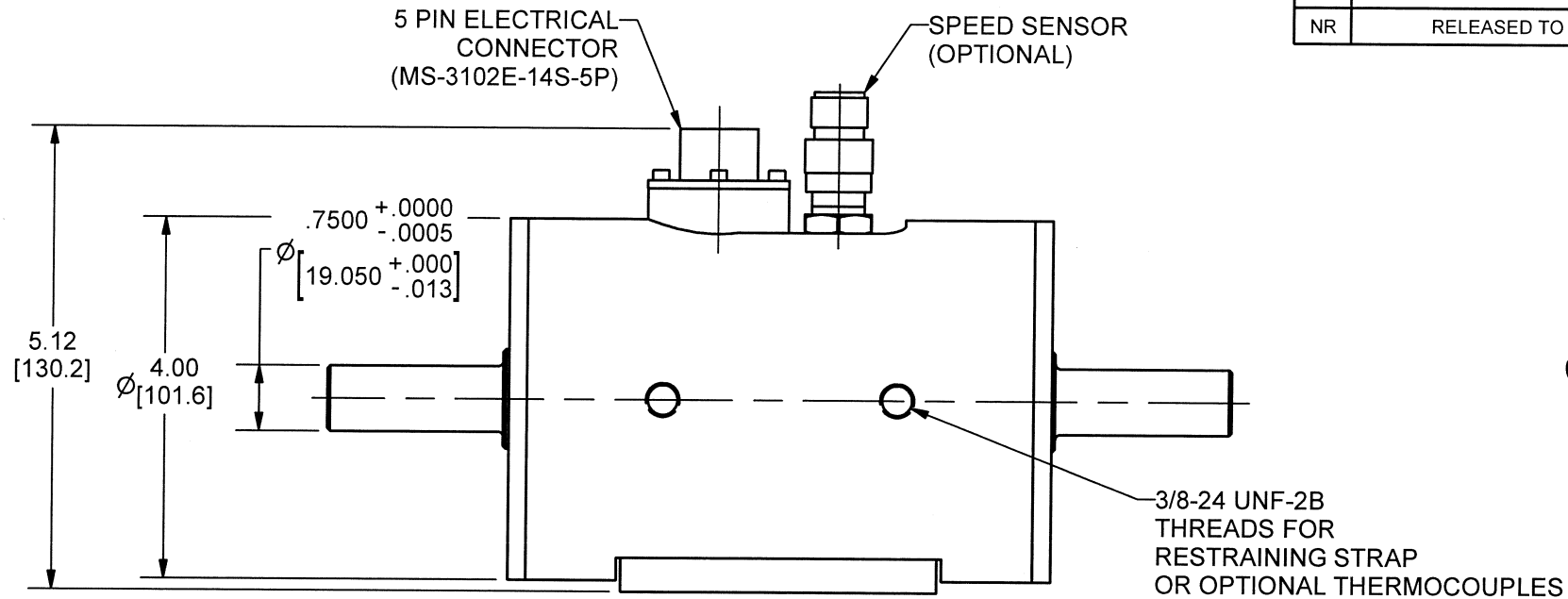
REV	DESCRIPTION	ECN	APP'D
NR	RELEASED TO DRAFTING		DM 12/07



.188 [4.76] SQUARE KEY WAY TYP BOTH ENDS



PIN OUT



UNLESS OTHERWISE SPECIFIED TOLERANCES ARE:

DIMENSIONS IN INCHES	DIMENSIONS IN MILLIMETERS [IN BRACKETS]
DECIMALS XX ± .03 XXX ± .010 ANGLES ± 2 DEGREES	DECIMALS X ± 0.8 XX ± 0.25 ANGLES ± 2 DEGREES
FILLETS AND RADII .003 - .005	FILLETS AND RADII [0.07 - 0.13]

DRAWN	DM	12/8/07	MFG	VB	12/9/07
CHK'D	DM	12/9/07	ENGR	MGK	12/9/07
APP'D	DM	12/9/07	SALES	SPM	12/8/07

TITLE  
**OUTLINE DRAWING**  
**MODEL 4103 SERIES**  
**ROTARY TORQUE SENSOR**

**PCB PIEZOTRONICS**  
 3425 WALDEN AVE. DEPEW, NY 14043  
 (716) 684-0001 E-MAIL: sales@pcb.com

CODE IDENT. NO. 52681	DWG. NO. <b>28602</b>
SCALE: 1/2	SHEET 1 OF 1